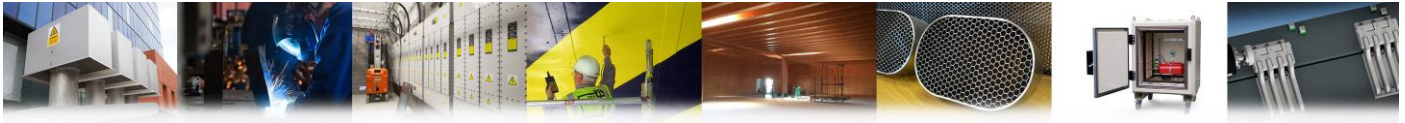


# Wall Sleeves for Defence Applications



European EMC Products (EEP) manufacture a wide range of wall sleeves primarily designed to offer blast protection and gas tightness in military installations.

The design is extremely flexible and can be adapted for pipes, cables and air ventilation.

Additionally with the use of the correct gaskets can also be used for Electro-Magnetic Pulse Protection (EMPP).

All our wall sleeves are built for years of low maintenance operation and have been installed in many UK MOD and NATO and civil facilities.

EEP design and manufacture the wall sleeves for the specific clients application.

The information required includes the following:

Diameter of wall sleeve

Thickness of the wall

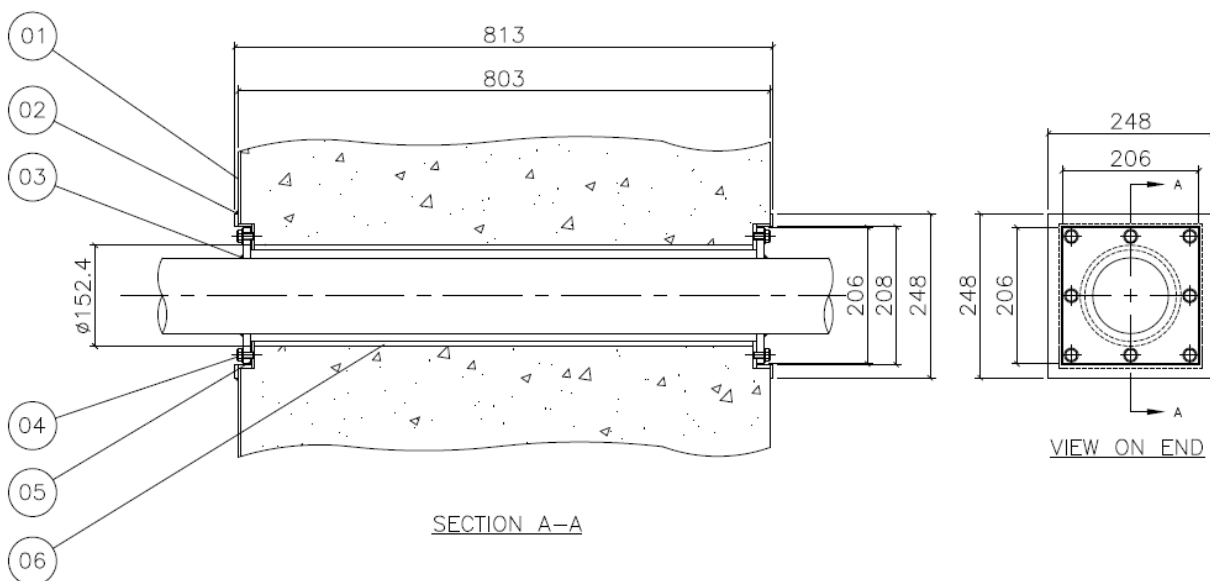
Blast resistance required

Services to pass through the wall sleeve

Material preference

Air tightness required

EMP protection required



# Wall Sleeves for Defence Applications

Wall sleeves from 20 mm up to 900 mm diameter can be manufactured

Examples of various diameter wall sleeves.



## About Us

Established in 1996, European EMC Products (EEP) are an established British company whose experience and understanding of the science of shielding makes it an ideal partner in whom you can place your trust with confidence. The purpose of installing EEP shielding systems is to protect people and equipment against the threats posed by electromagnetic and radio frequency (RF) interference, radiation, magnetic fields and electromagnetic pulses. Our diverse range of turnkey products and services, including design, project management, testing and consultancy are delivered across multiple sectors to an international client base.

# Wall Sleeves for Defence Applications



European EMC Products

**Product Datasheet**

## Quality

European EMC Products Limited are registered to BS EN ISO 9001:2015, Certificate Number FS38901.

Registered Scope: The design, assembly, installation, servicing and testing of RF Shielded Structures and equipment including EMI Shielding, Blast Doors, Gas Tight Doors and specialised mobile Electromagnetic Pulse Protection (EMPP) containers.

Radio Frequency, Magnetic Shielding and Quench systems for MRI (Magnetic Resonance Imaging) scanners.

The design, assembly and installation of Ionising Radiation Protection facilities.

The design, manufacture and installation of LED lighting systems for medical applications.

EEP Filters Limited are registered to BS EN ISO 9001:2015, Certificate Number FS38901.

Registered Scope: The design, manufacture, management of installation and testing of high performance EMC and EMP Power and Data Line Filters.

## Disclaimer

NB: All the information provided within this datasheet is for reference only. Product specifications are subject to change without notice.

