

Modular Blast Resistant Valves – Type BV-5028



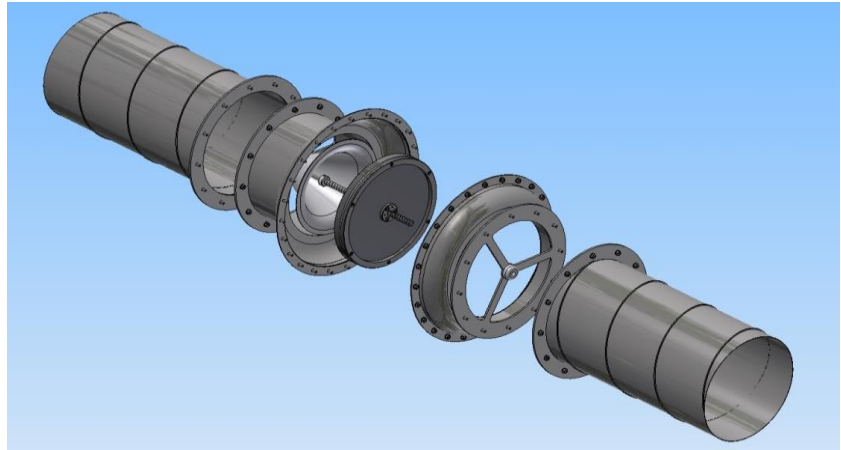
EEP's Modular Blast Resistant Valves - Type BV-5028 are used when a large airflow is required. They are suitable for both inlet and exhaust air and have been designed to with-stand loads of

2 to 6 MPa (20 bar to 60 bar) from both sides.

The modular BV-5028 blast valves can with-stand temperatures of up to 80°C.

EEP manufacture 3 versions:

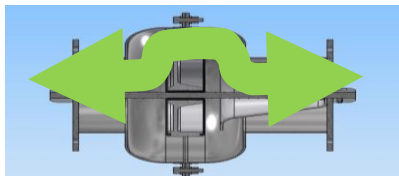
BV 5028/350, 5028/250 and 5028/150.



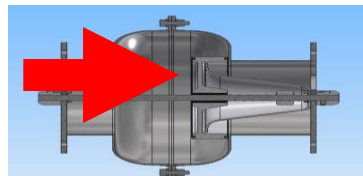
Design & Materials

The Blast Valve consists of modules fitted into wall frames, either vertically or horizontally. The Blast Valve closes upon impact of the blast and during the reverse pressure phase. When the blast has passed, the valve returns to its open position.

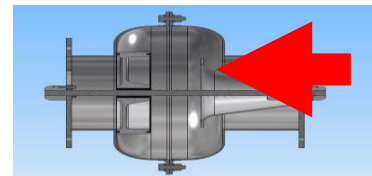
The frames are made from steel and are designed for casting into concrete. If required they can also be supplied for bolting onto, or welding into, steel walls.



Blast valve NORMAL position



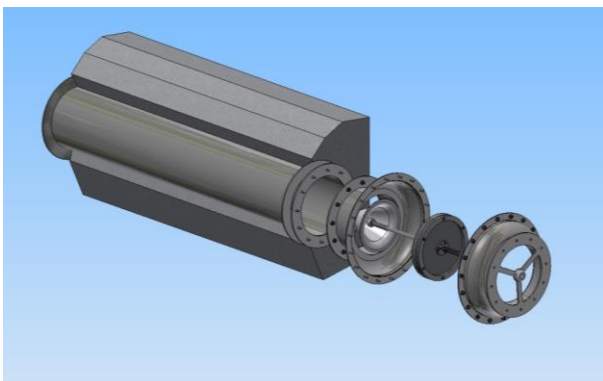
Blast valve CLOSED position during blast wave POSITIVE phase



Blast valve CLOSED position during blast wave NEGATIVE phase

Surface Treatment

Blast Valves are constructed using stainless steel and a stainless-steel sealing disc for a high level of corrosion protection. Other finishes are available upon request.



Air Flow Capacity

The air volume at the required pressure drop will determine the total number of valves required.

The chart below shows flow rates relating to one valve. The airflow/pressure drop is the same for both inlets and outlets.

Modular Blast Resistant Valves – Type BV-5028

Blast Rating

The valves have been designed and tested to withstand loads of up to 2 MPa (20 bar) and short duration loads of up to 6 MPa (60 bar).

Accessories

The wall frames can be fitted with particle filters and shields for protection against weather and shrapnel. Adapter boxes can be installed for use with rectangular and square ducts.

Specifications

Air flow rate:

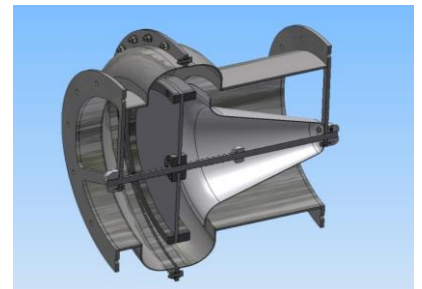
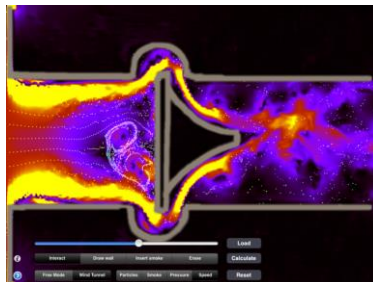
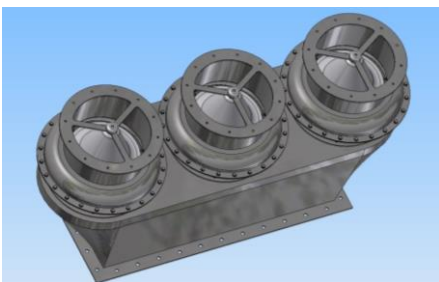
Model	Duct Dia (mm)	Wall Installation Airflow (m ³ /hr) @	Pressure differential Pa
BV-5028/150	150	750	300
BV-5028/250	250	2050	300
BV-5028/350	350	3360	300

Incident pressure durability: 2 – 6 MPa (20 – 60 bar)

Reflected pressure durability: 2 – 6 MPa (20 – 60 bar)

Working temperature: -25 - +80°C

Shock resistance: 60 g



Modular Blast Resistant Valves

– Type BV-5028

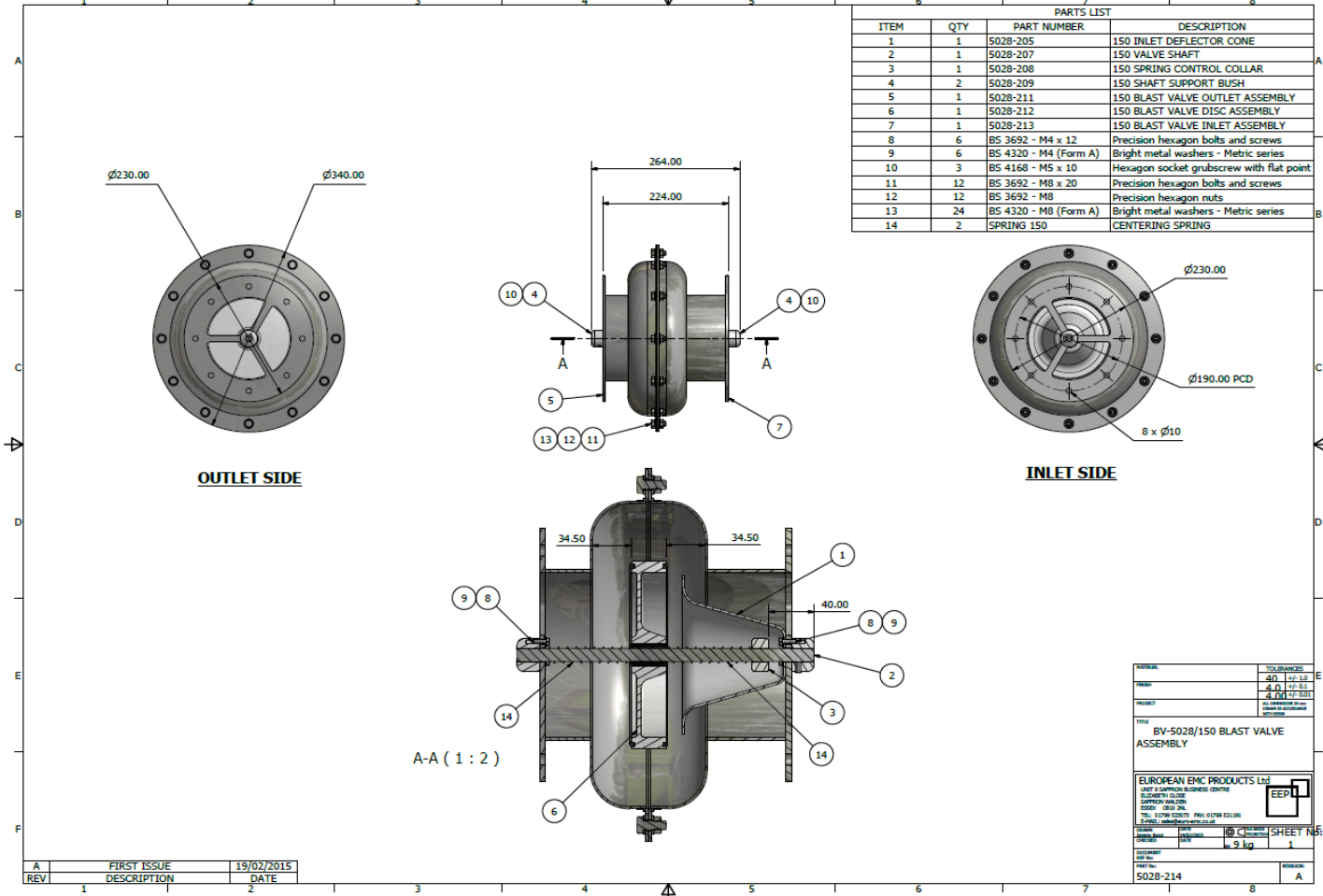


European EMC Products

Product Datasheet

BV-5028/150

PARTS LIST			
ITEM	QTY	PART NUMBER	DESCRIPTION
1	1	5028-205	150 INLET DEFLECTOR CONE
2	1	5028-207	150 VALVE SHAFT
3	1	5028-208	150 SPRING CONTROL COLLAR
4	2	5028-209	150 SHAFT SUPPORT BUSH
5	1	5028-211	150 BLAST VALVE OUTLET ASSEMBLY
6	1	5028-212	150 BLAST VALVE DISC ASSEMBLY
7	1	5028-213	150 BLAST VALVE INLET ASSEMBLY
8	6	BS 3692 - M4 x 12	Precision hexagon bolts and screws
9	6	BS 4320 - M4 (Form A)	Bright metal washers - Metric series
10	3	BS 4168 - M5 x 10	Hexagon socket grub screw with flat point
11	12	BS 3692 - M8 x 20	Precision hexagon bolts and screws
12	12	BS 3692 - M8	Precision hexagon nuts
13	24	BS 4320 - M8 (Form A)	Bright metal washers - Metric series
14	2	SPRING 150	CENTERING SPRING



TOLERANCES	
FINISH	40 / 12-15
FORM	4.0 / 12-15
PROJECT	4.0 / 12-15
TITLE	
BV-5028/150 BLAST VALVE ASSEMBLY	
EUROPEAN EMC PRODUCTS Ltd	
UNIT 3 GARTON BUSINESS CENTRE	
GARTON WALKER	
LEEDS LS10 2JQ	
TEL: 01753 502075 FAX: 01753 511188	
EMAIL: info@euro-emc.co.uk	
QUANTITY	1
WEIGHT	9 kg
DATE	19/02/2015
REV	A
SHEET	1
TOTAL SHEETS	1

REV	DESCRIPTION	DATE
A	FIRST ISSUE	19/02/2015

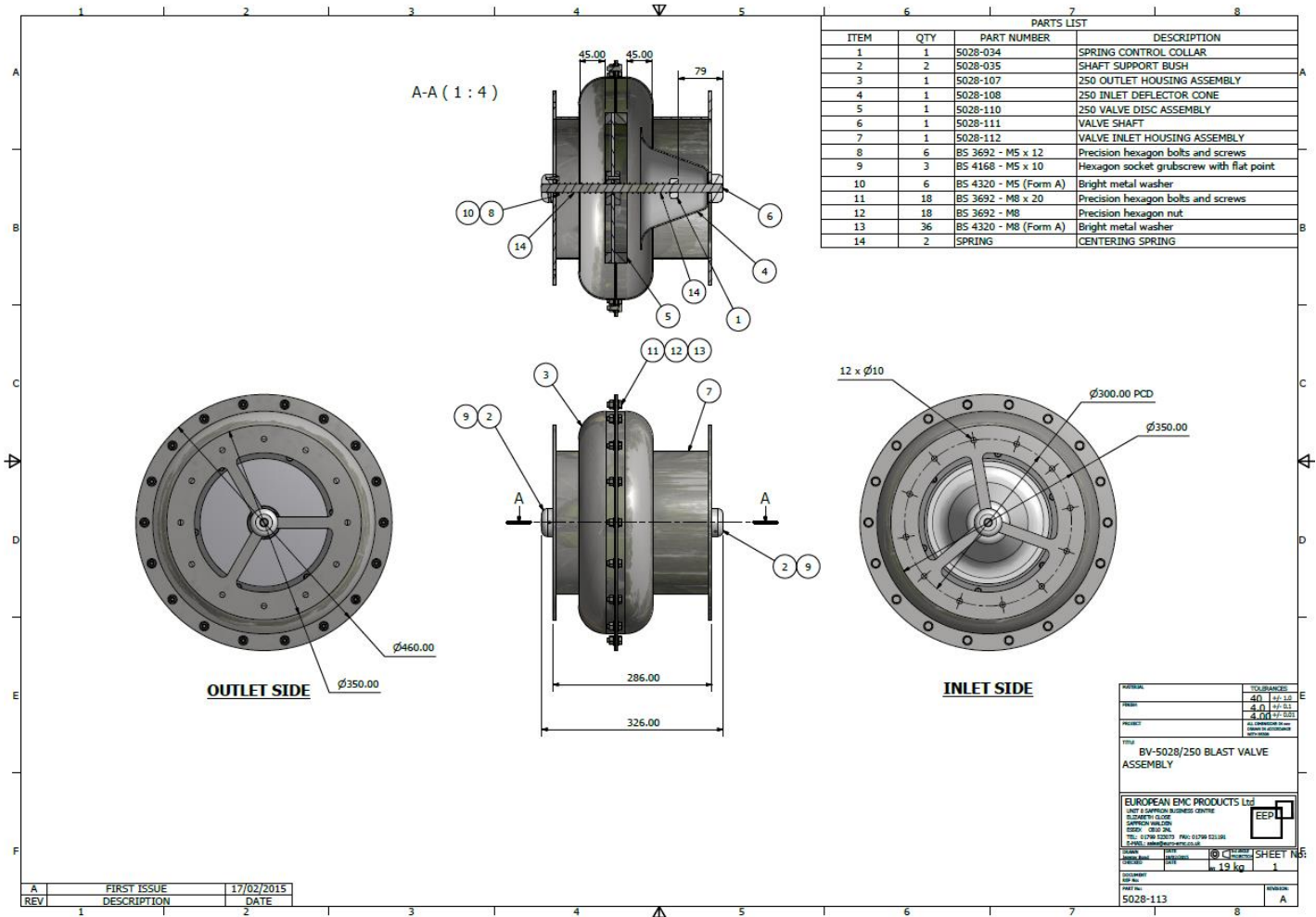


For Further Information Visit: www.euro-emc.co.uk
info@euro-emc.co.uk

Modular Blast Resistant Valves

– Type BV-5028

BV-5028/250



PARTS LIST			
ITEM	QTY	PART NUMBER	DESCRIPTION
1	1	5028-034	SPRING CONTROL COLLAR
2	2	5028-035	SHAFT SUPPORT BUSH
3	1	5028-107	250 OUTLET HOUSING ASSEMBLY
4	1	5028-108	250 INLET DEFLECTOR CONE
5	1	5028-110	250 VALVE DISC ASSEMBLY
6	1	5028-111	VALVE SHAFT
7	1	5028-112	VALVE INLET HOUSING ASSEMBLY
8	6	BS 3692 - M5 x 12	Precision hexagon bolts and screws
9	3	BS 4168 - M5 x 10	Hexagon socket grub screw with flat point
10	6	BS 4320 - M5 (Form A)	Bright metal washer
11	18	BS 3692 - M8 x 20	Precision hexagon bolts and screws
12	18	BS 3692 - M8	Precision hexagon nut
13	36	BS 4320 - M8 (Form A)	Bright metal washer
14	2	SPRING	CENTERING SPRING

A	FIRST ISSUE	17/02/2015
REV	DESCRIPTION	DATE

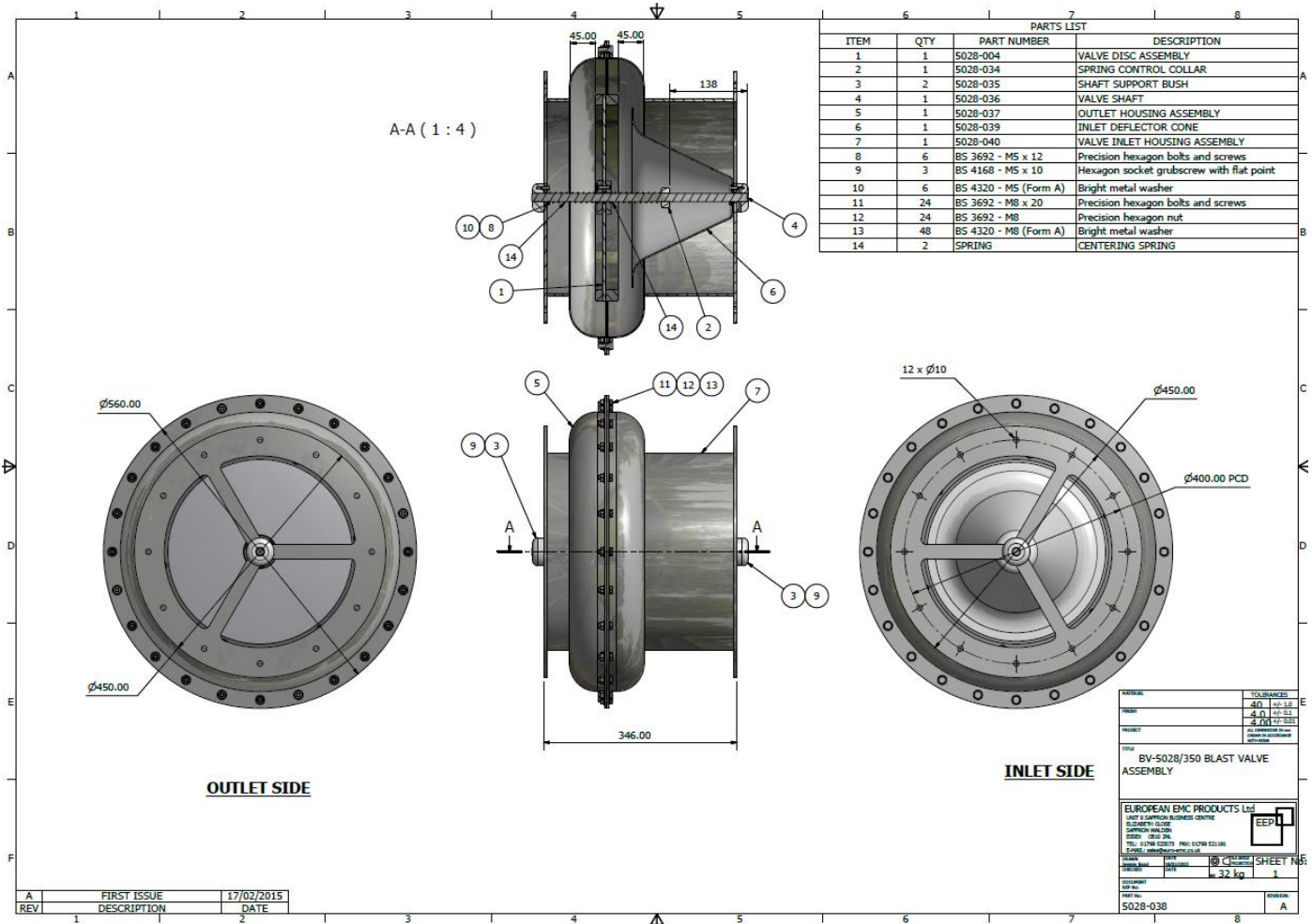
REVISION	
DATE	
BY	
CHKD	
APPD	
TITLE BV-5028/250 BLAST VALVE ASSEMBLY	
EUROPEAN EMC PRODUCTS Ltd UNIT 5 EURO BUSINESS CENTRE SLOUGH GLOUCE GERRARD WALKON SL2 0JL TEL: 01753 52070 FAX: 01753 52138 E-MAIL: SALES@EUROEMC.CO.UK	
SCALE	
WEIGHT	19 kg
NO. OF SHEETS	1
SHEET NO.	A
REV	



Modular Blast Resistant Valves

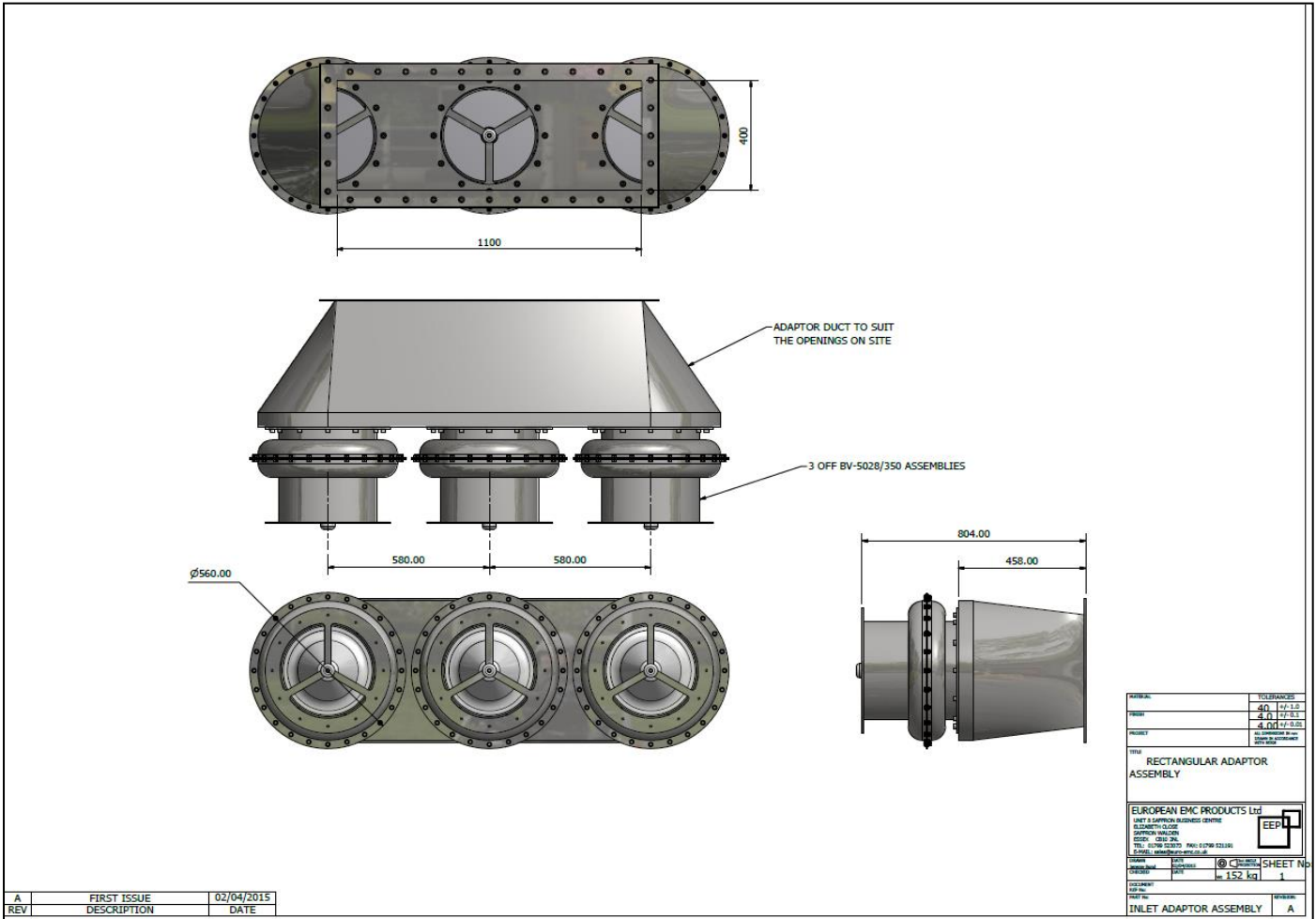
– Type BV-5028

BV-5028/350



Modular Blast Resistant Valves – Type BV-5028

**BLAST VALVE TO DUCT CONNECTOR
ADAPTOR BOXES**



Modular Blast Resistant Valves

– Type BV-5028

About Us

Established in 1996, European EMC Products (EEP) are an established British company whose experience and understanding of the science of shielding makes it an ideal partner in whom you can place your trust with confidence. The purpose of installing EEP shielding systems is to protect people and equipment against the threats posed by electromagnetic and radio frequency (RF) interference, radiation, magnetic fields and electromagnetic pulses. Our diverse range of turnkey products and services, including design, project management, testing and consultancy are delivered across multiple sectors to an international client base.

Quality

European EMC Products Limited are registered to BS EN ISO 9001:2015, Certificate Number FS38901.
Registered Scope: The design, assembly, installation, servicing and testing of RF Shielded Structures and equipment including EMI Shielding, Blast Doors, Gas Tight Doors and specialised mobile Electromagnetic Pulse Protection (EMPP) containers.
Radio Frequency, Magnetic Shielding and Quench systems for MRI (Magnetic Resonance Imaging) scanners.
The design, assembly and installation of Ionising Radiation Protection facilities.
The design, manufacture and installation of LED lighting systems for medical applications.
EEP Filters Limited are registered to BS EN ISO 9001:2015, Certificate Number FS38901.
Registered Scope: The design, manufacture, management of installation and testing of high performance EMC and EMP Power and Data Line Filters.

Disclaimer

NB: All the information provided within this datasheet is for reference only. Product specifications are subject to change without notice.